



Cosmos Seals India Pvt. Ltd.



COSMOS
Sealing Technology

ISO 9001:2015 Quality Management System

www.cosmosseals.com



Company Profile

Cosmos Seals India Pvt. Ltd. is the leading as well as well-named in the field of Manufacturing and Exporting of Mechanical Shaft Seal for various Industries.

We follow an ISO 9001 : 2015 Quality Management system.

We as a management strongly believe in :
“Focus on the Journey, not the destination”

Commitment:

- Total Customer Satisfaction by Quality
- Technical Support
- Delivery On Time
- Economical Pricing

Product:

- By design of Mechanical Seals
- Repair & Maintenance of any third party Mechanical shaft Seals
- Equivalent range of Mechanical Seals for leading Brands

Infrastructure:

- Our Company is backed by Art Facilities
- Sprawling Area of 2500 sq. ft.
- Direct Support & Marketing office in Mumbai, Vadodara, Ahmedabad, Goa.
- We work with Experienced & Efficient Staff.

Cosmos Seals India, Supplying Mechanical Seals for Chemical, Pharmaceutical, Marine, Pulp & Paper and various other Industries.



Product Index



Sr. Details

1. **Bellow Seal**
 - a. Unbalanced Seal - CS01
 - b. Unbalanced Seal - CS02
 - c. Unbalanced Seal - CS03
 - d. Unbalanced Seal - CS04
 - e. Unbalanced Seal - CS05

2. **Teflon Bellow Seal**
 - a. PTFE Bellow Seal - CS109TC
 - b. PTFE Bellow Seal - CS109TR
 - c. PTFE Bellow Seal - CS109SC

3. **Single Coil Spring Seal**
 - a. Unbalanced Seal - CS101C
 - b. Unbalanced Seal - CS101CF
 - c. Unbalanced Seal - CS85S
 - d. Unbalanced Seal - CS85SV
 - e. Unbalanced Seal - CS85SU

4. **Multi Spring Seal**
 - a. Unbalanced Seal - CS220M
 - b. Reverse Balanced Seal - CS3300M
 - c. Balanced Seal - CS440M
 - d. Balanced Seal - CS550M
 - e. Double Balanced Seal - CS110MD
 - f. Unbalanced Seal - CS75R
 - g. Unbalanced Seal - CS80R

5. **Wave Seal**
 - a. Unbalanced Seal - CS225W
 - b. Balanced Seal - CS225H

6. **Metal Bellow Seal**
 - a. Metal Bellow Seal - CS125M
 - b. Cartridge Seal - CS125MC

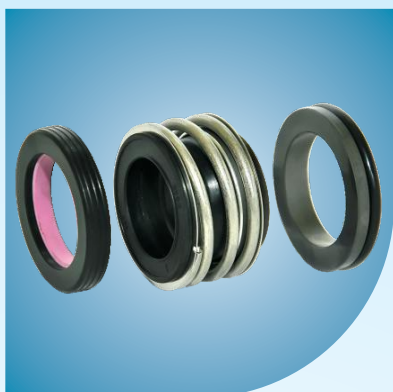
7. **Cartridge Seal**
 - a. Single Cartridge Seal - CS5501C
 - b. Double Cartridge Seal - CS5502C
 - c. Balance Slurry Seal - CS4401S
 - d. Grundfos Seal

8. **Split Seal - CS1035S**

9. **Dry Running Seal - CS1040D**

10. **Agitator Seal**
 - a. Single Mechanical Seal - CS1050S
 - b. Double Mechanical Seal - CS1050D

11. **Thermosyphon Vessel**



Unbalanced Seal - CS01

Single Acting, Independent of Direction of Rotation

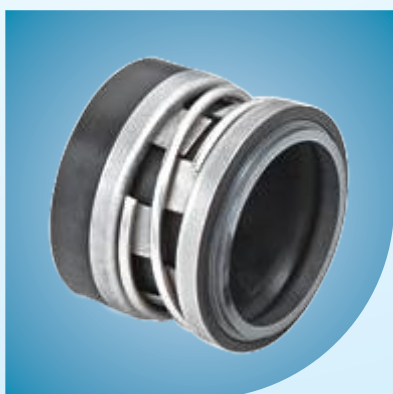
Standard Style	
Face Materials	Silicon Carbide, Carbon, Carbon / Lecrolloy, Ceramic
Metal Parts	SS 316, SS 304
Secondary Seal	Nitrile, Viton
Applications	Water Pumps, Submersible Pumps, Sewage pump
Operating Limits	Shaft Diameter d1 : 10....100mm Pressure p : 10 bar (max) temperature t : -20....+180°C velocity v : 20m/sec



Unbalanced Seal - CS02

Single Acting, Independent of Direction of Rotation

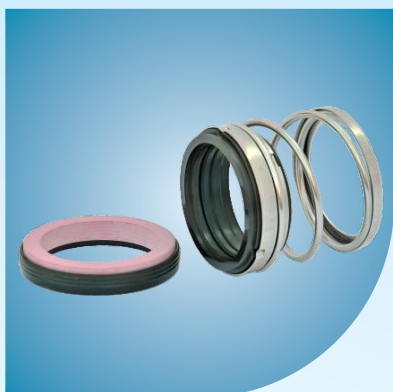
Standard Style	
Face Materials	Silicon Carbide, Carbon, Lecrolloy, Ceramic
Metal Parts	SS 316, SS 304
Secondary Seal	Nitrile, Viton
Applications	Water Pumps, Submersible Pumps, Sewage pump
Operating Limits	Shaft Diameter d1 : 10....100mm Pressure p : 8 bar (max) temperature t : -20....+180°C velocity v : 20m/sec



Unbalanced Seal - CS03

Single Acting, Independent of Direction of Rotation

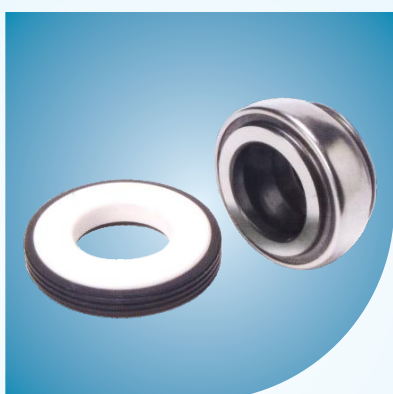
Standard Style	
Face Materials	Carbon, Tungsten Carbide, Ceramic, Silicon Carbide
Metal Parts	SS 316, SS 304
Secondary Seal	Viton, Nitrile
Applications	Water Pumps, Submersible Pumps, Sewage pumps
Operating Limits	Shaft Diameter d1 : 10....100mm Pressure p : 10 bar (max) temperature t : -20....+180°C



Unbalanced Seal - CS04

Single Acting, Independent of Direction of Rotation

Standard Style	
Face Materials	Carbon / Lecrolloy, Ceramic, Silicon Carbide
Metal Parts	SS 316, SS 304
Secondary Seal	Nitrile, Viton
Applications	Water Pumps, Submersible Pumps
Operating Limits	Shaft Diameter d1 : 12....100mm Pressure p : 8 bar (max) temperature t : -20....+180°C velocity v : 20m/sec



Unbalanced Seal - CS05

Single Acting, Independent of Direction of Rotation

Standard Style	
Face Materials	Carbon / Ceramic, Lecrolloy / Carbon
Metal Parts	SS 316
Secondary Seal	Nitrile
Applications	Water Pumps, Submersible Pumps
Operating Limits	Shaft Diameter d1 : 6....70mm Pressure p : 6 bar (max) temperature t : -20....+90°C velocity v : 12m/sec



Grundfos Seal

Single Acting, Independent of Direction of Rotation

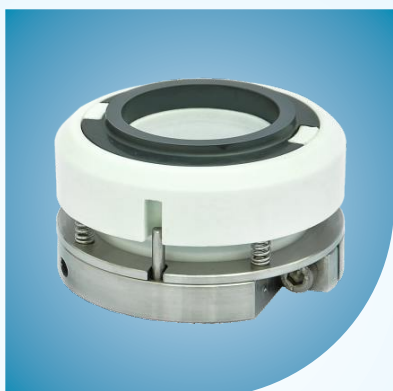
Standard Style	
Face Materials	Carbon, Ceramic, Silicon Carbide, Tungsten Carbide
Metal Parts	SS 316, SS 304
Secondary Seal	Viton, EPDM, Nitrile
Applications	Slurry pump, Pulp & paper, Sludge & Syrup pump, Chemical, Petrochemical & Refinery
Operating Limits	Shaft Diameter d1 : 12....22mm Pressure p : 5 bar (max) temperature t : -45....+180°C



PTFE Bellow Seal - CS109TC

Single Acting, Independent of Direction of Rotation

Standard Style	
Face Materials	GFT / Ceramic, Silicon Carbide / Silicon Carbide, Silicon Carbide / Ceramic, Carbon / Ceramic
Metal Parts	SS 316, SS 304, Hastelloy – C
Springs	Hastelloy – C
Secondary Seal	PTFE Bellows
Applications	Extremely Corrosive Services
Operating Limits	Shaft Diameter d1 : 18....100mm Pressure p : 6 bar (max) temperature t : -45....+120°C velocity v : 20m/sec



PTFE Bellow Seal - CS109TR

Single Acting, Independent of Direction of Rotation

Standard Style	
Face Materials	GFT / Ceramic, Silicon Carbide / Silicon Carbide, Silicon Carbide / Ceramic, Carbon / Ceramic
Metal Parts	SS 316, SS 304, Hastelloy – C
Springs	Hastelloy – C
Secondary Seal	PTFE Bellows
Applications	Extremely Corrosive Services
Operating Limits	Shaft Diameter d1 : 18....100mm Pressure p : 6 bar (max) Temperature t : -45....+120°C Velocity v : 20m/sec



PTFE Bellow Seal - CS109SC

Single Acting, Independent of Direction of Rotation

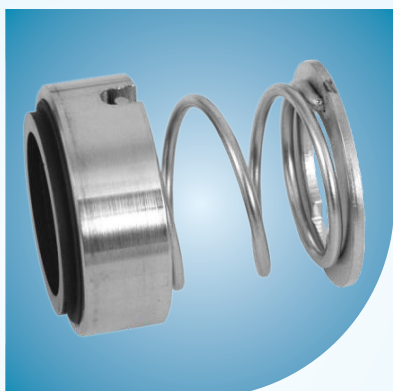
Standard Style	
Face Materials	GFT / Ceramic, GFT / Silicon Carbide
Metal Parts	SS 316, SS 304, , Hastelloy – C
Springs	Teflon Covered Spring Steel
Secondary Seal	PTFE Bellows
Applications	Extremely Corrosive Services
Operating Limits	Shaft Diameter d1 : 1.0"....2.875" Pressure p : 6 bar (max) temperature t : -45....+120°C velocity v : 16m/sec



Unbalanced Seal - CS101C

Single Acting, Independent of Direction of Rotation

Standard Style	
Face Materials	Carbon, Ceramic, Tungsten Carbide, Silicon Carbide, Lecrolloy
Metal Parts	SS 316, SS 304
Secondary Seal	Viton, EPDM, Silicon, Aflas, PTFE, GFT, Karlez, FEP, TTV
Applications	Water Pumps, Circulation Pumps for Central heating Chemical Process Pumps, Sewage & Submersible Pumps
Operating Limits	Shaft Diameter d1 : 12....90mm Pressure p : 8 bar (max) temperature t : -20....+180°C velocity v : 20m/sec



Unbalanced Seal - CS101CF

Single Acting, Independent of Direction of Rotation

Standard Style	
Face Materials	Carbon, Ceramic, Silicon Carbide, Tungsten Carbide
Metal Parts	SS 304, SS 316
Secondary Seal	Viton, EPDM, Silicon, Aflas, PTFE, GFT, Karlez, FEP, TTV
Applications	Dairy Pharma, Food, Beverages, DM Plant, Sugar Syrup & Aqua Water
Operating Limits	Shaft Diameter d1 : 14....100mm Pressure p : 5 bar (max) temperature t : -50....+180°C velocity v : 20m/sec



Unbalanced Seal - CS85S

Single Acting, Independent of Direction of Rotation

Standard Style	
Face Materials	Carbon, Ceramic, Tungsten Carbide, Silicon Carbide, Lecrolloy
Metal Parts	SS 316, SS 304
Secondary Seal	Viton, EPDM, Silicon, Aflas, GFT, Karlez, FEP, TTV
Applications	Crystallizing Slurry, Suspended Solids Slurry, Saturated Chemical Slurry, General Chemical Slurry
Operating Limits	Shaft Diameter d1 : 12....100mm Pressure p : 12 bar (max) temperature t : -20....+180°C velocity v : 20m/sec



Unbalanced Seal - CS85SV

Single Acting, Independent of Direction of Rotation

Standard Style	
Face Materials	Carbon, Ceramic, Tungsten Carbide, Silicon Carbide, Lecrolloy
Metal Parts	SS 316, SS 304
Secondary Seal	PTFE, GFT
Applications	Crystallizing Slurry, Suspended Solids Slurry, Saturated Chemical Slurry, General Chemical Slurry
Operating Limits	Shaft Diameter d1 : 12....100mm Pressure p : 12 bar (max) temperature t : -20....+180°C velocity v : 20m/sec



Unbalanced Seal - CS85SU

Single Acting, Independent of Direction of Rotation

Standard Style	
Face Materials	Carbon, Ceramic, Tungsten Carbide, Silicon Carbide, Lecrolloy
Metal Parts	SS 316, SS 304
Secondary Seal	Viton, EPDM, Silicon, Aflas, PTFE, GFT, Karlez, FEP, TTV
Applications	Petrochemicals, Petroleum Refineries, General Chemicals, Light Hydrocarbons
Operating Limits	Shaft Diameter d1 : 16....100mm Pressure p : 5....35 bar (max) temperature t : -60....+180°C velocity v : 20m/sec



Unbalanced Seal - CS220M

Single Acting, Independent of Direction of Rotation

Standard Style	
Face Materials	Carbon, Ceramic, Tungsten Carbide, Silicon Carbide, Lecrolloy
Metal Parts	SS 316, SS 304
Secondary Seal	PTFE, GFT
Applications	Petrochemicals, Petroleum Refineries, General Chemicals, Light Hydrocarbons
Operating Limits	Shaft Diameter d1 : 12....100mm Pressure p : 10 bar (max) temperature t : -60....+200°C velocity v : 20m/sec



Reverse Balanced Seal - CS330M

Single Acting, Independent of Direction of Rotation

Standard Style	
Face Materials	Carbon, Ceramic, Tungsten Carbide, Silicon Carbide
Metal Parts	SS 316, SS 304
Secondary Seal	Viton, EPDM, Silicon, Aflas, PTFE, GFT, Karlez, FEP, TCV
Applications	Corrosive Chemicals, Hydrocarbons, General & Light Chemical
Operating Limits	Shaft Diameter d1 : 20....100mm Pressure p : 25 bar (max) temperature t : -45....+180°C velocity v : 20m/sec



Balanced Seal - CS440M

Single Acting, Independent of Direction of Rotation

Standard Style	
Face Materials	Carbon, Ceramic, Tungsten Carbide, Silicon Carbide, Lecrolloy
Metal Parts	SS 316, SS 304
Secondary Seal	Viton, EPDM, Silicon, Aflas, PTFE, GFT, Karlez, FEP, TTV
Applications	Petrochemicals, Petroleum Refineries, General Chemicals, Light Hydrocarbons
Operating Limits	Shaft Diameter d1 : 16....100mm Pressure p : 35 bar (max) temperature t : -60....+180°C velocity v : 20m/sec



Balanced Seal - CS550M

Single Acting, Independent of Direction of Rotation

Standard Style	
Face Materials	Carbon / Silicon Carbide, Silicon Carbide / Silicon Carbide, Tungsten Carbide / Silicon Carbide
Metal Parts	SS 316, SS 304
Secondary Seal	Viton, EPDM, Silicon, Aflas, PTFE, GFT, Karlez, FEP, TTV
Applications	Food Industry, Chemical Industry, Mining Industry, Water Treatment, Media containing Slurry
Operating Limits	Shaft Diameter d1 : 14....100mm Pressure p : 25bar (max) temperature t : -20....+180°C velocity v : 20m/sec



Double Balanced Seal - CS110MD

Single Acting, Independent of Direction of Rotation

Standard Style	
Face Materials	Carbon, Ceramic, Silicon Carbide, Tungsten Carbide
Metal Parts	SS 304 / SS 316
Secondary Seal	Viton, EPDM, Silicon, Aflas, PTFE, GFT, Karlez, FEP, TTV
Applications	Crystallizing Slurry, Suspended Solids Slurry, Saturated Chemical Slurry, General Chemicals Slurry, All Solvent
Operating Limits	Shaft Diameter d1 : 20....100mm Pressure p : 20 bar (max) temperature t : 180°C



Unbalanced Seal - CS75

Single Acting, Independent of Direction of Rotation

Standard Style	
Face Materials	Carbon, Ceramic, Silicon Carbide, Tungsten Carbide, Chrome Cast Steel
Metal Parts	SS 316, SS 304
Secondary Seal	Viton, EPDM, Silicon, Aflas, PTFE, GFT, Karlez, FEP, TTV
Applications	Petrochemicals, Light Hydrocarbon, General Chemical
Operating Limits	Shaft Diameter d1 : 12....100mm Pressure p : 5 bar (max) temperature t : -60....+180°C



Unbalanced Seal - CS80

Single Acting, Independent of Direction of Rotation

Standard Style	
Face Materials	Carbon, Ceramic, Silicon Carbide, Tungsten Carbide, Chrome Cast Steel
Metal Parts	SS 316, SS 304
Secondary Seal	Viton, EPDM, Silicon, Aflas, PTFE, GFT, Karlez, FEP, TTV
Applications	Petrochemicals, Light Hydrocarbon, General Chemical
Operating Limits	Shaft Diameter d1 : 12....100mm Pressure p : 5 bar (max) temperature t : -60....+180°C



Unbalanced Seal - CS225W

Single Acting, Independent of Direction of Rotation

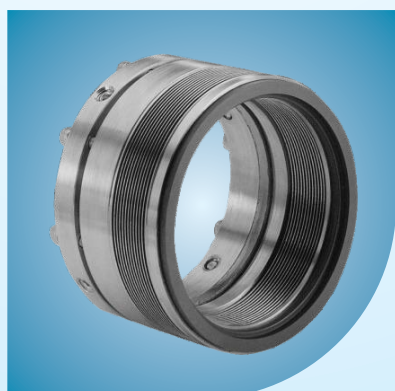
Standard Style	
Face Materials	Carbon, Stellite, Silicon Carbide, Tungsten Carbide, Lecrolloy
Metal Parts	SS 316, SS 304
Secondary Seal	Viton, EPDM, Silicon, Aflas, PTFE, GFT, Karlez, FEP, TTV
Applications	Light abrasive slurry, Light sewage water, Hydrocarbons, High viscosity fluids, General & light chemicals
Operating Limits	Shaft Diameter d : 18....100mm Pressure p : 10 bar (max) temperature t : -45....+180°C velocity v : 20m/s



Balanced Seal - CS225H

Single Acting, Independent of Direction of Rotation

Standard Style	
Face Materials	Carbon, Stellite, Silicon Carbide, Tungsten Carbide, Lecrolloy
Metal Parts	SS 316, SS 304
Secondary Seal	Viton, EPDM, Silicon, Aflas, PTFE, GFT, Karlez, FEP, TTV
Applications	Light abrasive slurry, Light sewage water, Hydrocarbons, High viscosity fluids, General & light chemicals
Operating Limits	Shaft Diameter d : 18....100mm Pressure p : 25 bar (max) temperature t : -50....+180°C velocity v : 20m/s



Metal Bellow Seal - CS125M

Single Acting, Independent of Direction of Rotation

Standard Style	
Face Materials	Carbon / Silicon Carbide, Carbon / Tungsten Carbide, Silicon Carbide / Tungsten Carbide
Metal Parts	SS 316, SS 304
Secondary Seal	Grafoil
Applications	Chemicals, Petrochemical, Refinery, Corrosive Chemical
Operating Limits	Shaft Diameter d1 : 20....100mm Pressure p : 18 bar (max) temperature t : -20....+300°C velocity v : 20m/sec



Cartridge Seal - CS125MC

Single Acting, Independent of Direction of Rotation

Standard Style	
Face Materials	Carbon, Silicon Carbide, Tungsten Carbide, Chrome Cast Steel
Metal Parts	SS 316, SS 304
Secondary Seal	Grafoil
Applications	Slurry pump, Pulp & paper, Sludge & Syrup pump, Chemical, Petrochemical & Refinery
Operating Limits	Shaft Diameter d1 : 18....100mm Pressure p : 35 bar (max) temperature t : -20....+300°C



Single Cartridge Seal - CS5501C

Single Acting, Independent of Direction of Rotation

Standard Style	
Face Materials	Carbon, Tungsten Carbide, Silicon Carbide, Chrome Steel
Metal Parts	SS 316, SS 304
Secondary Seal	Viton, EPDM, Silicon, Aflas, PTFE, GFT, Karlez, FEP, TTV
Applications	Slurry pump, Pulp & paper, Sludge & Syrup pump, Chemical, Petrochemical & Refinery
Operating Limits	Shaft Diameter d1 : 18mm....100mm Pressure p : 5....35 bar (max) temperature t : -20....+200°C



Double Cartridge Seal - CS5502C

Single Acting, Independent of Direction of Rotation

Standard Style	
Face Materials	Carbon, Silicon Carbide, Tungsten Carbide
Metal Parts	SS 316, SS 304
Secondary Seal	Viton, EPDM, Silicon, Aflas, PTFE, GFT, Karlez, FEP, TTV
Applications	Slurry pump, Pulp & paper, Sludge & Syrup pump, Chemical, Petrochemical & Refinery
Operating Limits	Shaft Diameter d1 : 18mm....100mm Pressure p : 5....35 bar (max) temperature t : -20....+200°C



Balanced Slurry Seal - CS4401S

Single Acting, Independent of Direction of Rotation

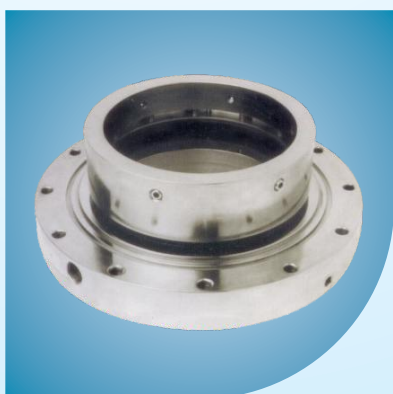
Standard Style	
Face Materials	Carbon / Silicon Carbide, Tungsten Carbide, Silicon Carbide
Metal Parts	SS 316, SS 304
Secondary Seal	Viton, EPDM, Silicon, Aflas, PTFE, GFT, Karlez, FEP, TTV
Applications	Petrochemicals, General Chemicals, Toxic Liquids, Hazardous Liquids, Suspended Abrasive, Corrosive Liquids
Operating Limits	Shaft Diameter d1 : 25mm...100mm Pressure p : 5...25 bar (max) temperature t : -40...+200°C



Split Seal - CS1035S

For Top Entry Agitators, Vessels and Mixers

Standard Style	
Face Materials	Carbon / Silicon Carbide, Tungsten Carbide
Metal Parts	SS 316, SS 304
Secondary Seal	Viton, EPDM, Silicon, Aflas, PTFE, GFT, Karlez, FEP, TTV
Applications	Utility Pumps, Transfer Pumps, Agitator and Vessels
Operating Limits	Shaft Diameter d1 : 50...200mm Pressure p : 15 bar (max) temperature t : Amb...140°C Shaft Speed : 3600 rpm (max)



Dry Running Seal - CS1040D

For Top Entry Agitators, Vessels and Mixers

Single Acting, Independent of Direction of Rotation

Standard Style	
Face Materials	Carbon / Silicon Carbide
Metal Parts	SS 316, SS 304
Secondary Seal	Viton, EPDM, Silicon, Aflas, PTFE, GFT, Karlez, FEP, TTV
Applications	Food Products, Pharmaceutical Products
Operating Limits	Shaft Diameter d : 15...150mm Pressure p : Vacuum...8 bar (max) temperature t : Amb...120°C Shaft Speed : 320 rpm (max)



Single Mechanical Seal - CS1050S

For Top Entry Agitators, Vessels and Mixers
Single Acting, Independent of Direction of Rotation

Standard Style	
Face Materials	Carbon / Ceramic, Silicon Carbide, Tungsten Carbide, Lecrolloy
Metal Parts	SS 316, SS 304
Secondary Seal	Viton, EPDM, Silicon, Aflas, PTFE, GFT, Karlez, FEP, TTV
Applications	Corrosive Chemical, General light Chemical, Food Products, Pharmaceutical Products
Operating Limits	Shaft Diameter d : 25....150mm Pressure p : Vacuum....8 bar (max) temperature t : Amb....180°C Shaft Speed : 320 rpm



Double Mechanical Seal - CS1050D

For Top / Side Entry Agitators, Vessels and Mixers
Single Acting, Independent of Direction of Rotation

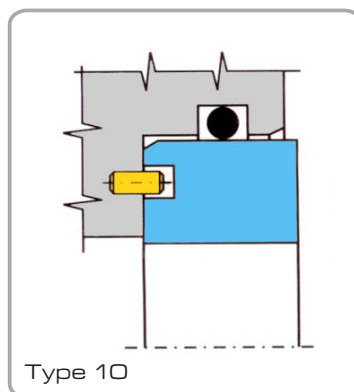
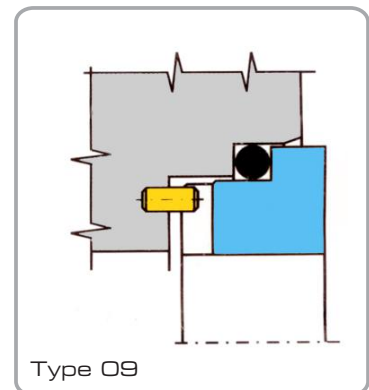
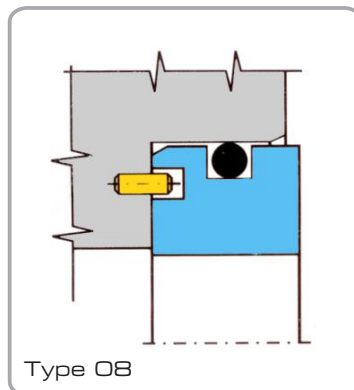
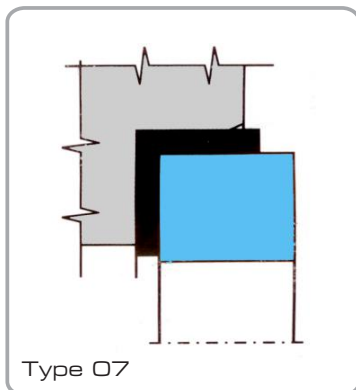
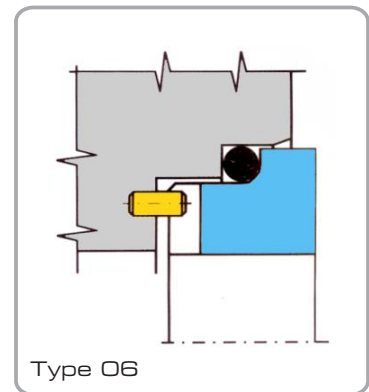
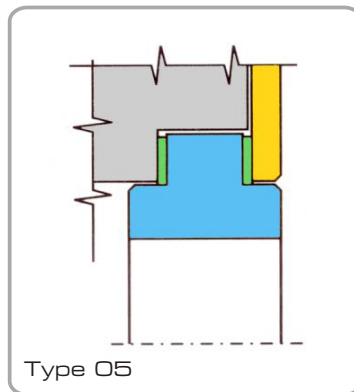
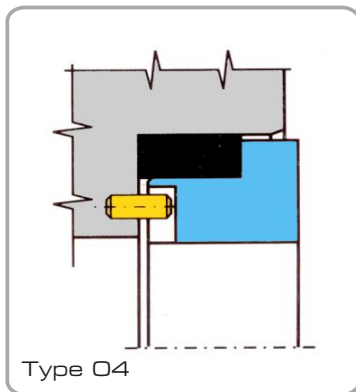
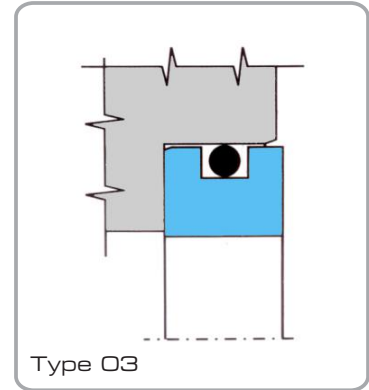
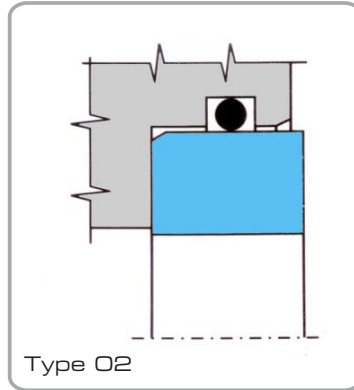
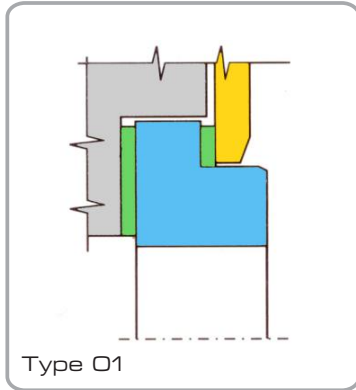
Standard Style	
Face Materials	Carbon / Ceramic, Silicon Carbide, Tungsten Carbide, Lecrolloy
Metal Parts	SS 316, SS 304, Hastelloy – C
Secondary Seal	Viton, EPDM, Silicon, Aflas, PTFE, GFT, Karlez, FEP, TTV
Applications	Petrochemicals and its vapours, General Chemicals and its vapours, Light Hydrocarbons and its vapours
Operating Limits	Shaft Diameter d : 25....150mm Pressure p : Vacuum....10 bar (max) temperature t : Amb....200°C Shaft Speed : 600 rpm (max) Barrier fluid pressure : Vessel pressure +1.5 bar



Thermosyphon Vessel

Standard Style	
Metal Parts	Thermosyphon Shell : Carbon Steel / SS 304 / SS 316 Cooling Coil : SS 304 / SS 316 Empty Weight : 34 kg (approx)
Secondary Seal	Elastomers
Operating Limits	Capacity : 7.5 ltrs Design Pressure : 10 bar Hydraulic Test Pressure : 15 bar Working Temperature (max) : 180°C Heat Transfer area of cooling coil : 0.226m ² Cooling water flow rate recommended : 10 ltrs/min

Standard Mating Ring Types



Cosmos Seals India Pvt. Ltd.

ISO 9001:2015 Quality Management System

Head Office :

Gala No. 3, Bhuwal Singh Compound,
S.V. Road, Opp. Vina Dalwai Ind. Estate,
Oshiwara, Jogeshwari (W), Mumbai - 400 102.

Tel. No. +91 - 22-26788951

Email : info@cosmosseals.com

sales@cosmosseals.com

